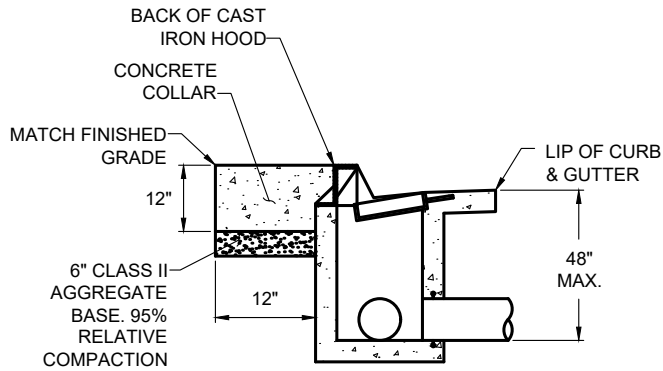


PLAN



SECTION A-A

**NOTES**

1. TO BE USED ON TYPE 1A AND TYPE 2 CURB AND GUTTER WHERE INLETS ARE AT DETACHED SIDEWALKS.

DATE: 09/22/2017		NOT TO SCALE	
REVISION	BY	APPROVED	DATE

CITY OF ELK GROVE - PUBLIC WORKS

**DROP INLET  
TYPE B  
AT DETACHED SIDEWALK**

APPROVED BY:

*Robert M. Muddoch*

CITY ENGINEER

10/24/2018

DATE



DRAWING NUMBER

**SD - 12.1**